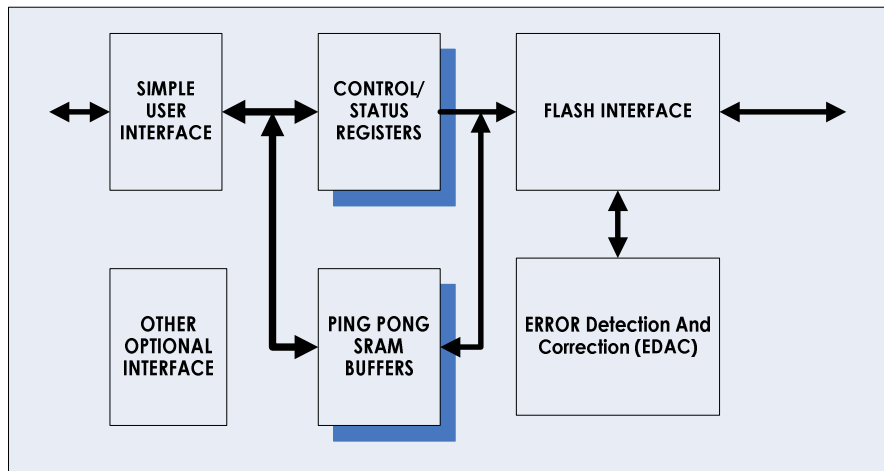


FEATURES

- 1- Supports up to 2 banks of 8-bits NAND FLASH Devices
- 2- Each bank may contain up to 2 NAND FLASH connected in parallel for a total of 4 NAND FLASH devices.
- 3- Internal ping-pong buffers for continuous read data.
- 4- Access to the spare area (64 bytes) of FLASH area.
- 5- Single-bit correction and Double bit detection error correction.
- 6- Separate Program & Erase error bits.
- 7- Simple user interface.
- 8- Optional custom user interface.

BLOCK DIAGRAM



UTILIZATION TABLE

FPGA	COMB. CELLS	SEQ. CELLS	CORE CELLS	RAM/ROM BLOCK
RTAX2000	3778/21504 (18%)	2091/10752 (19%)	N/A	27/64 (20%)
APA1000	N/A	N/A	9467/56320 (16.8%)	54/88 (61.4%)